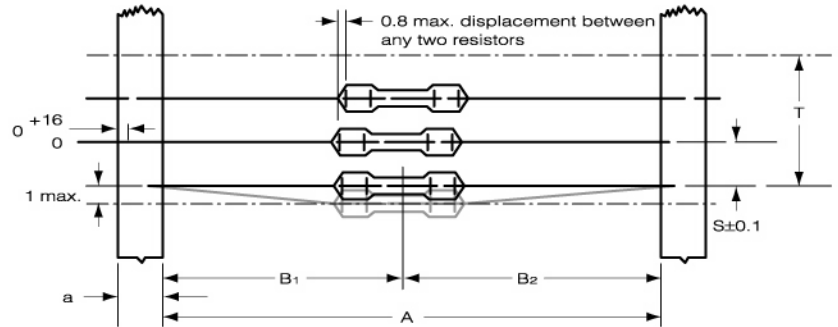


## PACKING METHODS

### Bandolier for Axial Leads

The resistors are supplied on bandolier ;  
either 1000 resistors in ammopack or  
5000 resistors on reel.



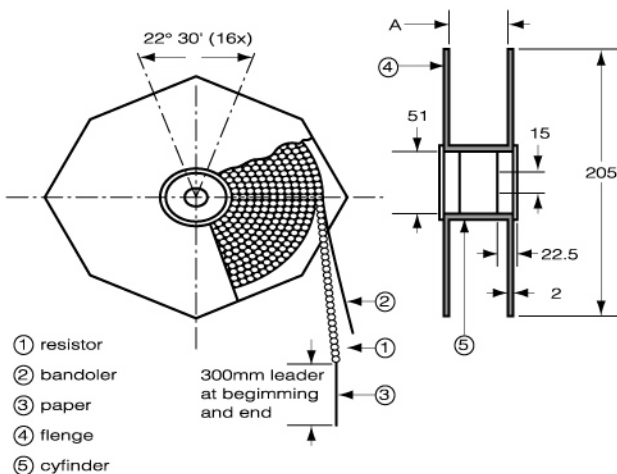
## DIMENSIONS(mm):

STYLE		DIMENSIONS (mm)				
Normal	Miniature	a	A	B1 - B2	S (spacing)	T (max. deviation of spacing)
TYPE-1/8w	TYPE 1/4WS	6.0±0.5	52.5±1.5	1.2	5.0	1 mm per 10 spacings 0.5 mm per 5 spacings
			26.0±1.5	1.0		
TYPE-1/4w	TYPE 1/2WS	6.0±0.5	52.5±1.5	1.2	5.0	
			26.0±1.5	1.0		
TYPE-1/2w	TYPE1W	6.0±0.5	52.5±1.5	1.2	5.0	
TYPE-1w	TYPE2WS	6.0±0.5	73.0±1.5	1.5	5.0	
			52.5±1.5	1.5		
TYPE-2w	TYPE3WS	6.0±0.5	73.0±1.5	1.5	10.0	
TYPE-3w	TYPE5WS	6.0±0.5	73.0±1.5	1.5	10	
TYPE-5w	TYPE7WS	6.0±0.5	88.0±1.5	1.5	10	

STYLE		TAPE ON REEL		TAPE ON BOX			
Normal	Miniature	ACROSS FLANGE (A)	QTY PER REEL	W (A)	H (B)	L (C)	QTY PER BOX
TYPE-1/8w	TYPE 1/4WS	72.0	5,000	78.0	20.0	264.0	5,000
TYPE-1/4w	TYPE 1/2WS	48.0 / 72.0	5,000	78.0	20.0	264.0	5,000
TYPE-1/2w	TYPE1W	72.0	2,500	78.0	46.0	264.0	2,000
TYPE-1w	TYPE2WS	95.0	2,000	103.0	70.0	265.0	1,000
TYPE-2w	TYPE3WS	95.0	1,000	103.0	85.0	265.0	1,000
TYPE-3W	TYPE5WS	95.0	1,000	103.0	76.0	265.0	500
TYPE-5W	TYPE7WS	107	1,000	119.0	74.0	265.0	250

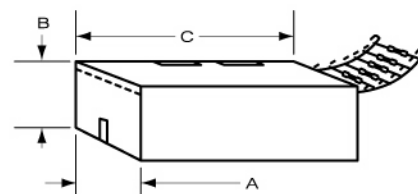
## TAPE ON REEL PACKING

Bandoliers can be reeled; dimension A differ with type



## TAPE ON BOX PACKING

Bandoliers may also be supplied in a cardboard box ("ammopack").



\* "Ammopack" is an abbreviation of "ammunition packin".  
The dimensions of A-B-C vary with type and quantity. g"

unit: mm/pcs